

Fall 2018 Catalog

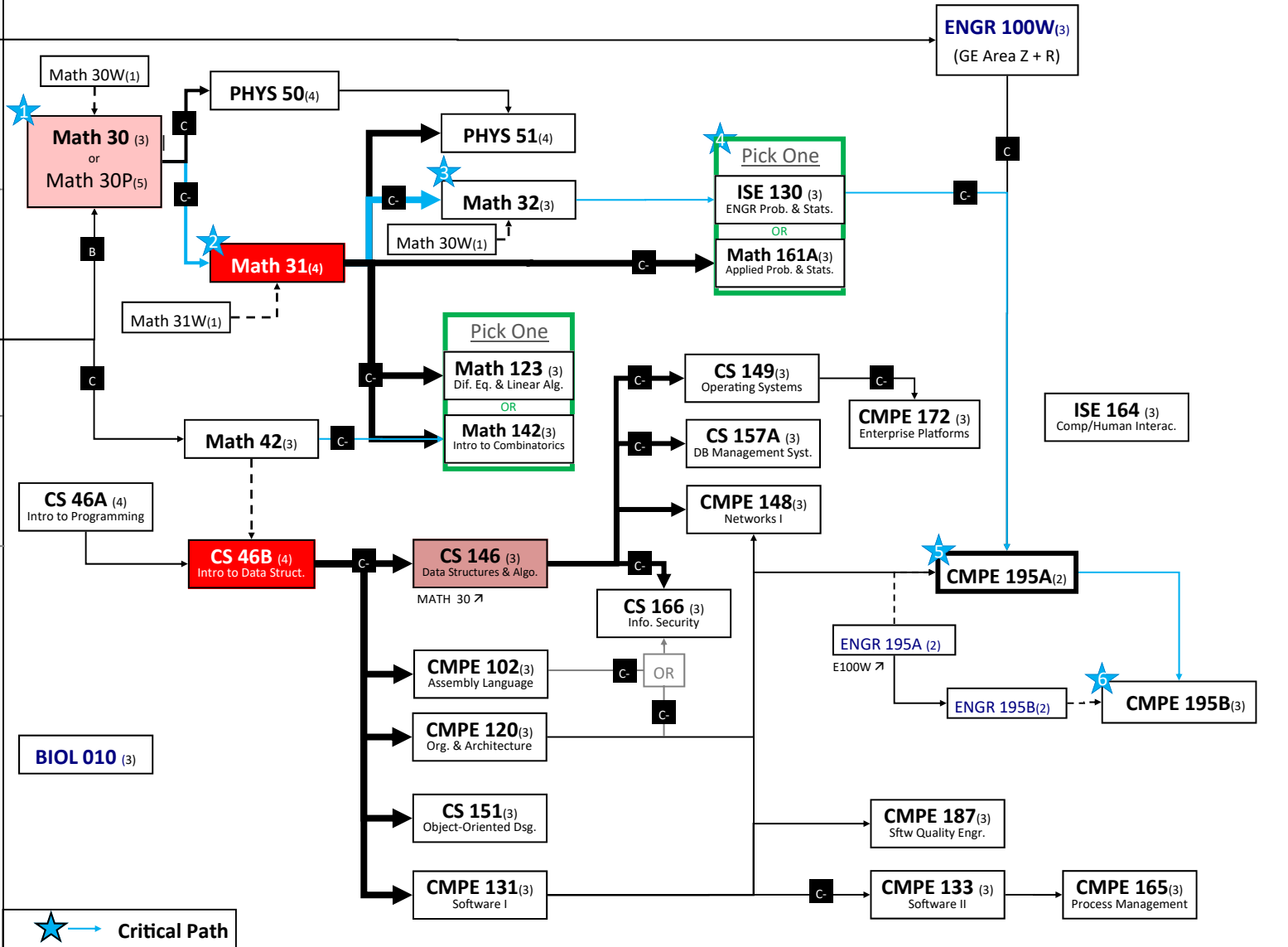
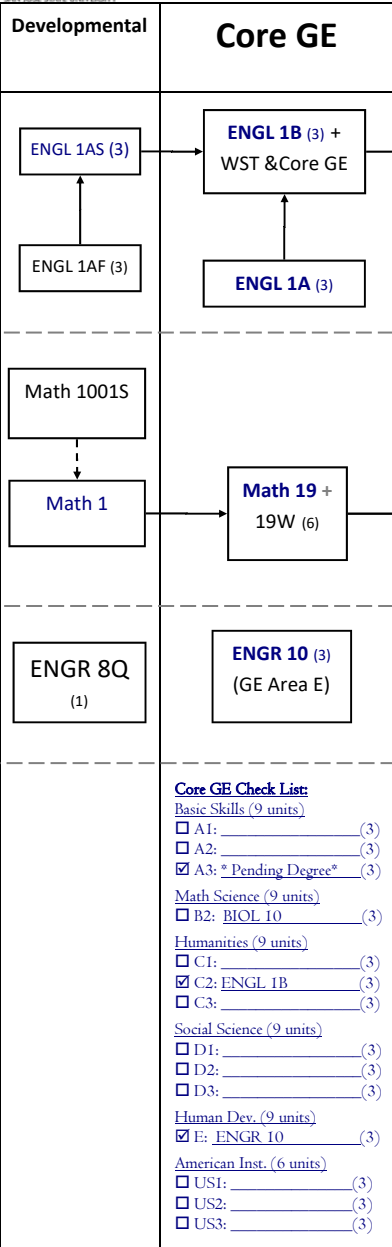
Software Engineering (120 units)

English

Mathematics

Engineering

General Education



- Core GE Check List:**
- Basic Skills (9 units)
 - A1: _____ (3)
 - A2: _____ (3)
 - A3: * Pending Degree* (3)
 - Math Science (9 units)
 - B2: BIOL 10 (3)
 - Humanities (9 units)
 - C1: _____ (3)
 - C2: ENGL 1B (3)
 - C3: _____ (3)
 - Social Science (9 units)
 - D1: _____ (3)
 - D2: _____ (3)
 - D3: _____ (3)
 - Human Dev. (9 units)
 - E: ENGR 10 (3)
 - American Inst. (6 units)
 - US1: _____ (3)
 - US2: _____ (3)
 - US3: _____ (3)

★ → Critical Path

- Pre-requisite
 - - - Co-requisite
 - ▲ ENGR 10 Pre-Requisite
 - W-I and W-II (Engl 1A satisfied)
 - M-I, M-II and M-III (Math 19 eligible)
- General Education**

Additional Requirements:

Technical Elective Courses: (6 units) _____ (3) _____ (3)

SJSU Studies: F: Am. Institution (6 units) S: ENGR 195A w/ Sr. Project (CompE195A) V: ENGR 195A w/ Sr. Project (CompE195A)