

English

Math

ENGR

Supplemental Instruction	Core GE
ENGL 1AS (3) ENGL 1AF (3)	ENGL 1B (3) + Core GE & WST ENGL 1A (3)
Math 18B (3) Math 18A (1) Math 01 (3)	Math 19 + 19W (6)
ENGR 8 (1)	ENGR 10 (3) (GE Area E)

Core GE Check List:

Basic Skills (9 units)

- A1: _____ (3)
- A2: _____ (3)
- A3: * Pending Degree* (3)

Humanities (9 units)

- C1: _____ (3)
- C2: English IB (3)
- C3: _____ (3)

Social Science (9 units)

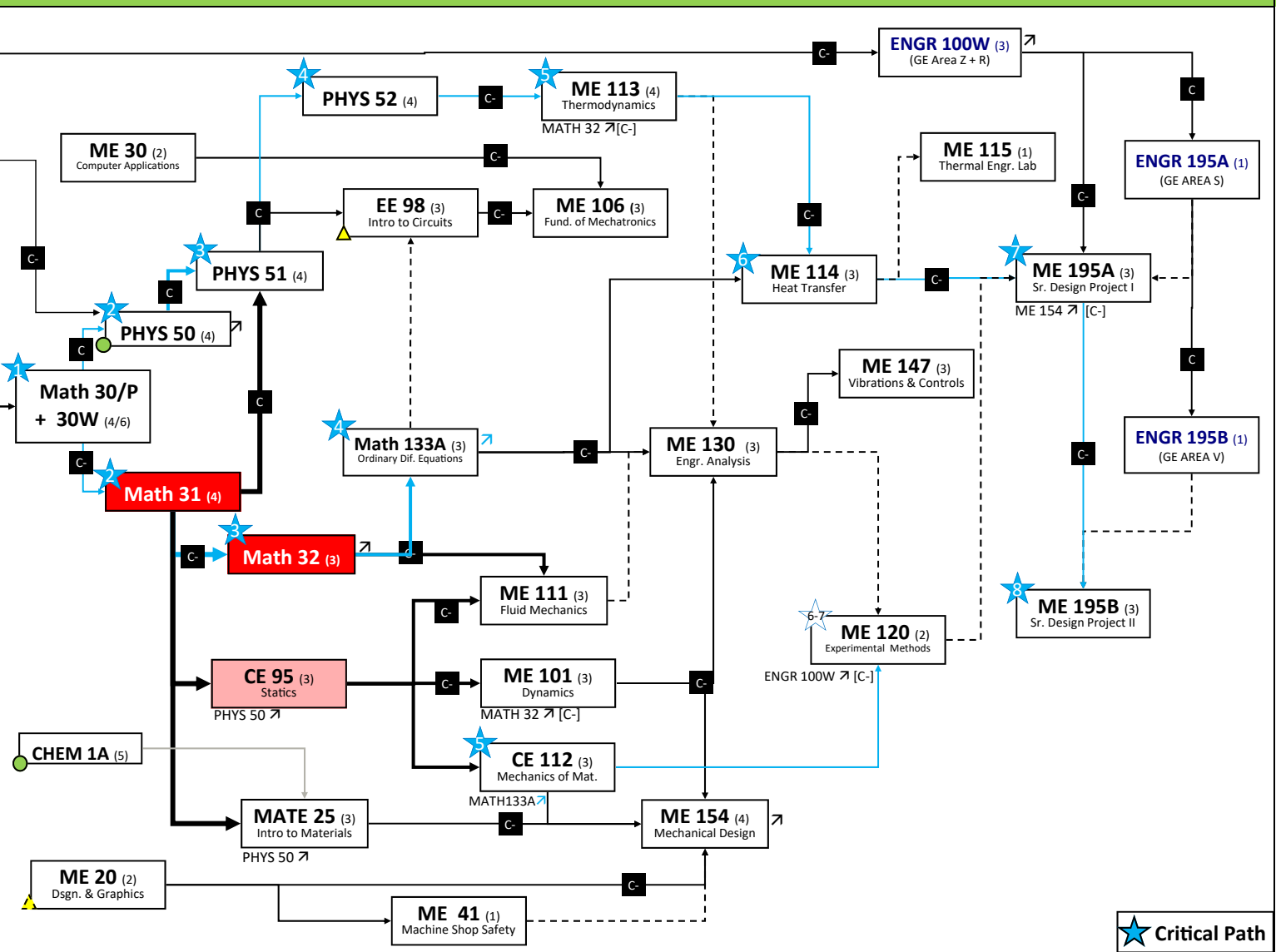
- D1: _____ (3)
- D2: _____ (3)
- D3: _____ (3)

Human Dev. (9 units)

- E: Engineering 10 (3)

American Inst. (6 units)

- US1: _____ (3)
- US2: _____ (3)
- US3: _____ (3)



Critical Path

- Pre-requisite
 - - - Co-requisite
 - ▲ ENGR 10 Pre-Requisite
 - W-I and W-II (Engl 1A satisfied)
 - M-I, M-II and M-III (Math 19 eligible)
- General Education**

Additional Requirements:

Capstone Courses: PICK ONE: (3 units) ME 157 (3) OR ME 182 (3) OR ME 190 (3)

Technical Elective Courses: (6 units) _____ (3) AND _____ (3)

SJSU Studies: R&Z: ENGR 100W (3) S: ENGR 195A w/ Sr. Project (3) V: ENGR 195B w/ Sr. Project (3)