

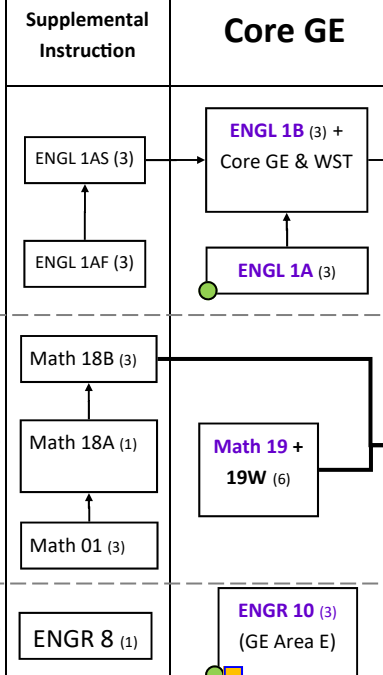
Fall 2020 Catalog

Civil Engineering (120 units)

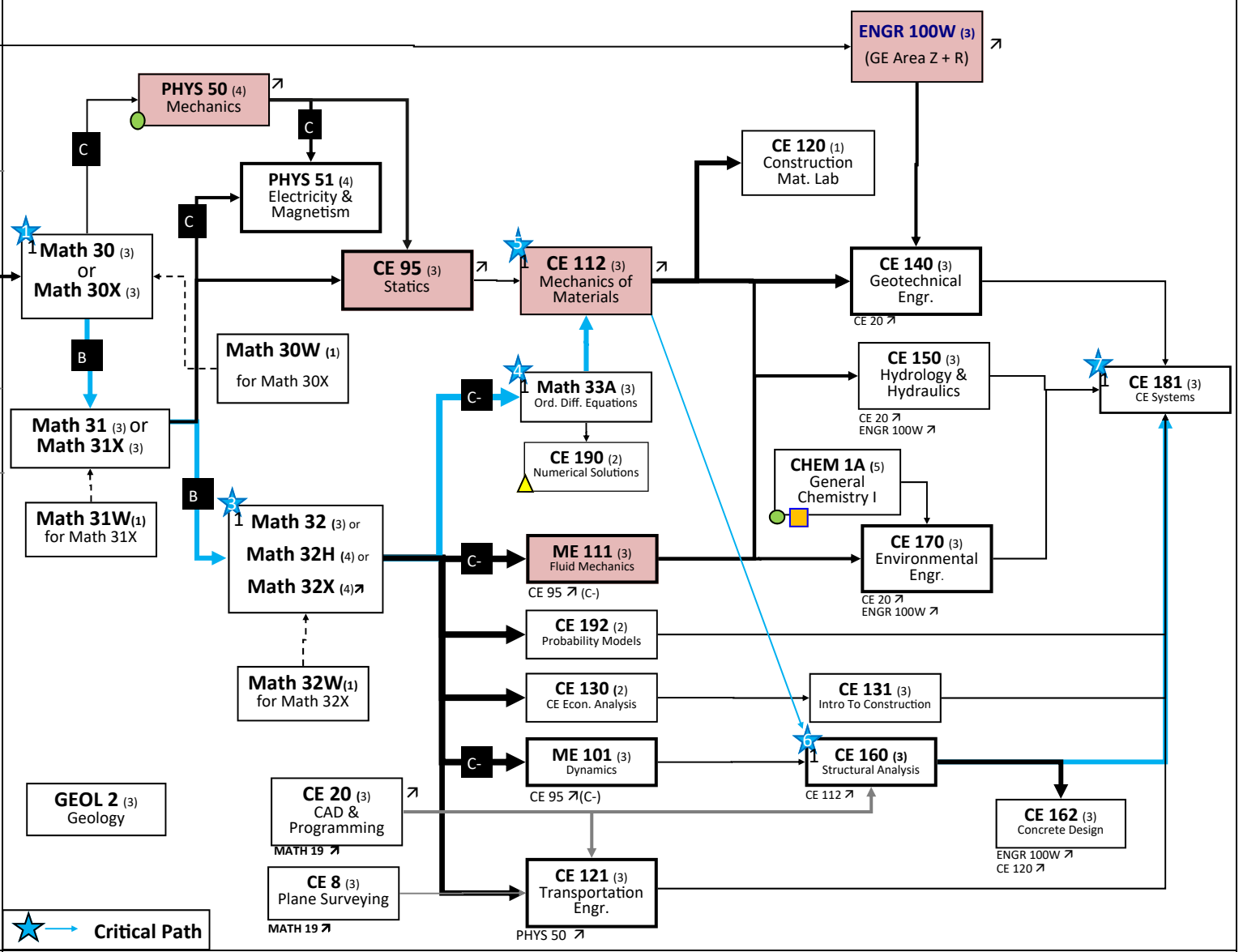
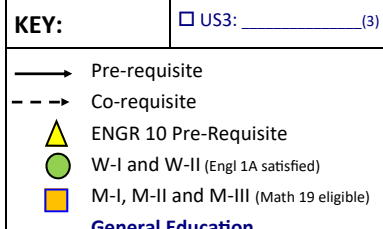
English

Math

ENGR



- Core GE Check List:**
- Basic Skills (9 units)
- A1: _____ (3)
 - A2: _____ (3)
 - A3: *Pending Degree *(3)
- Humanities (9 units)
- C1: _____ (3)
 - C2: English 1B (3)
 - C3: _____ (3)
- Social Science (9 units)
- D1: _____ (3)
 - D2: _____ (3)
 - D3: _____ (3)
- Human Dev. (9 units)
- E: *Engineering 10 *(3)
- American Inst. (6 units)
- US1: _____ (3)
 - US2: _____ (3)
 - US3: _____ (3)



This chart is only a reference, always consult your CE advisor.