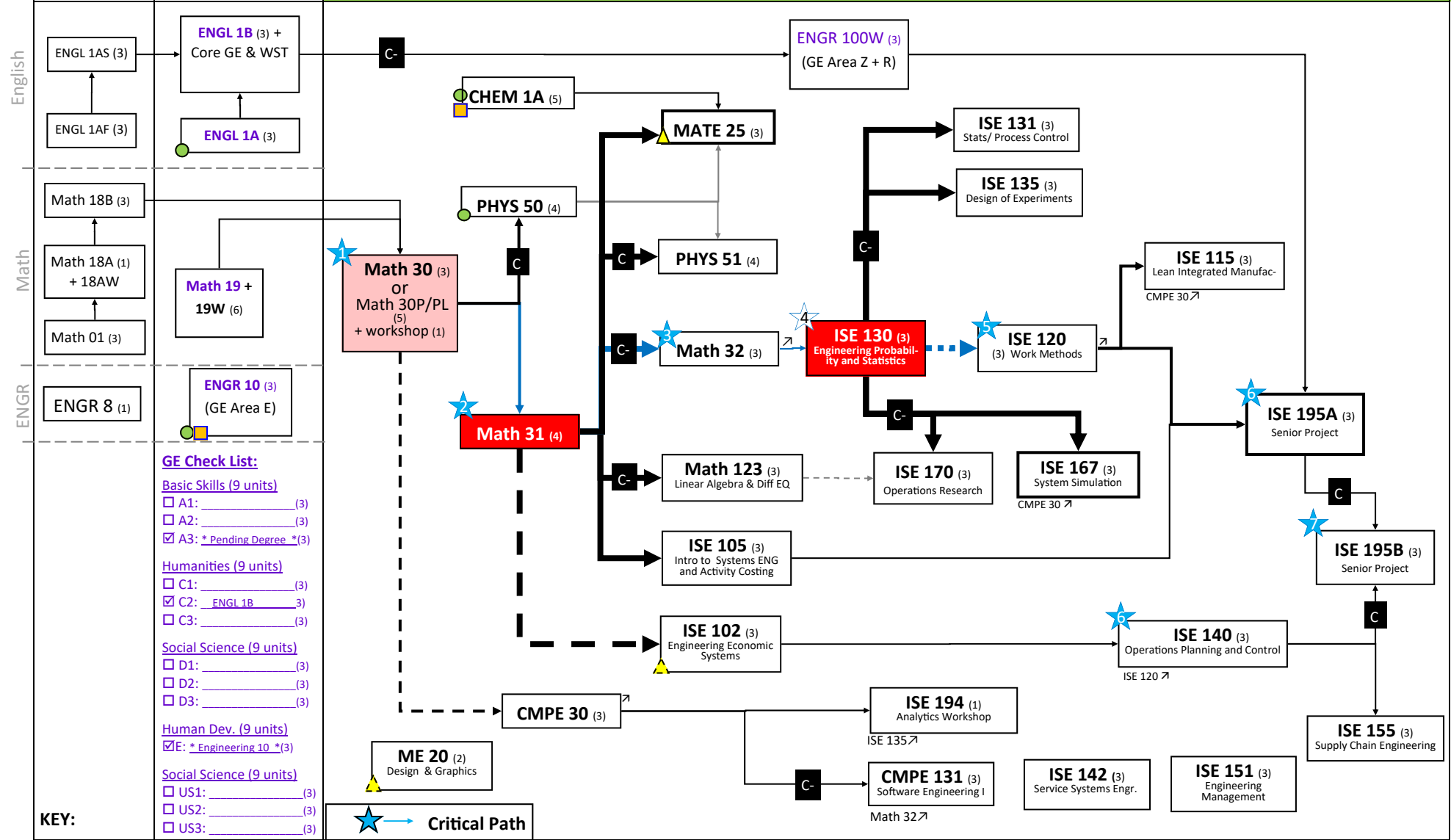


Industrial & Systems Engineering (120 units)



Additional Requirements:

Technical Elective Courses: _____ (6 units)

SJSU Studies: (9 units) R&Z: ENGR 100W _____ (3) S: _____ (3) V: _____ (3)